

Quick guide for STARK M-L

Electric shear with plug-in battery



Stark M



Stark L



AR ضوئياً QR أو امسح رمز www.campagnola.it لتنزيل دليل التعليمات الكامل ، انتقل إلى

DE Um die vollständige Bedienungsanleitung herunterzuladen, besuchen Sie www.campagnola.it oder scannen Sie den QR-Code.

EL Για να κατεβάσετε το πλήρες εγχειρίδιο οδηγιών, μεταβείτε στη διεύθυνση www.campagnola.it ή σαρώστε τον κωδικό QR.

EN To download the complete instruction manual go to www.campagnola.it or scan the QR code

ES Para descargar el manual de instrucciones completo, vaya a www.campagnola.it o escanee el código QR.

FR Pour télécharger le manuel d'instructions complet, allez sur www.campagnola.it ou scannez le code QR

HU A teljes használati útmutató letöltéséhez keresse fel a www.campagnola.it webhelyet, vagy olvassa be a QR-kódot.

IT Per scaricare il manuale di istruzioni completo andare sul sito www.campagnola.it oppure scansionare il codice QR

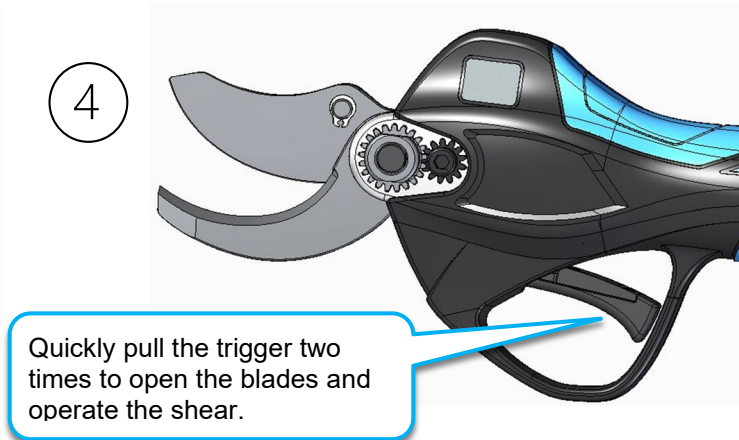
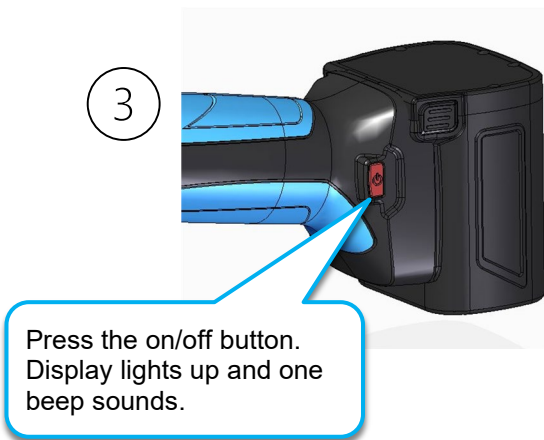
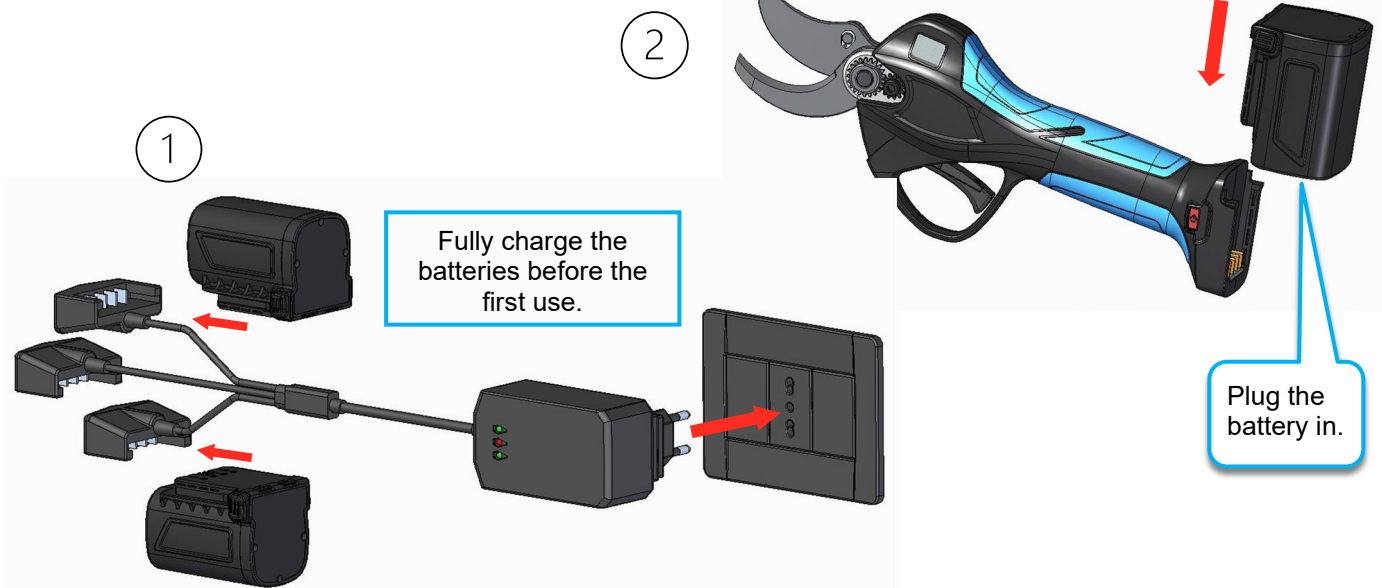
PT Para baixar o manual de instruções completo, acesse www.campagnola.it ou digitalize o código QR.

SL Če želite prenesti celoten priročnik za uporabo, pojdite na www.campagnola.it ali skenirajte QR kodo.

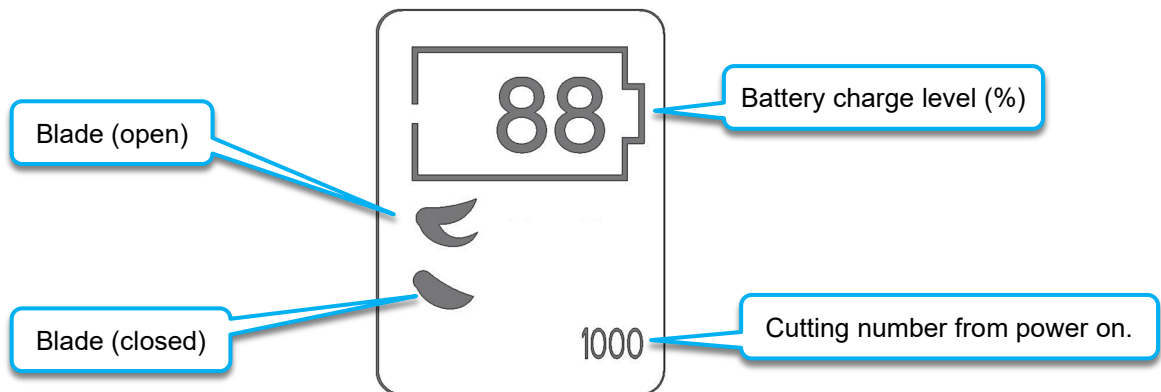
TR Komple kullanım kılavuzunu indirmek için www.campagnola.it adresine gidin veya QR kodunu tarayın.

HR Da biste preuzeli cjelovit priručnik s uputama, idite na web mjesto www.campagnola.it ili skenirajte QR kôd.

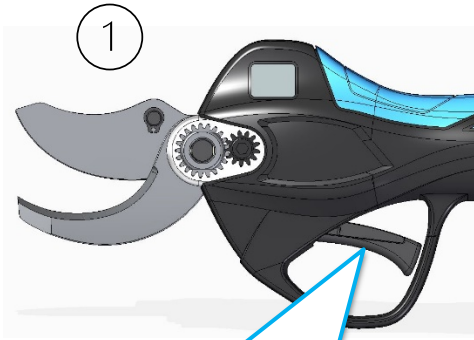
Getting started



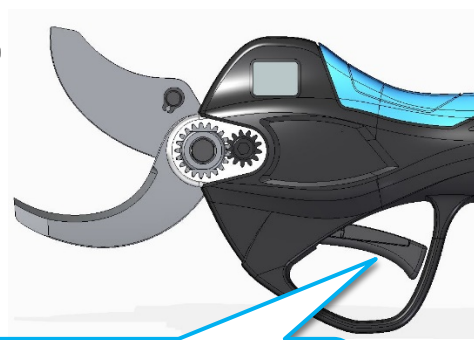
Display



Blade opening modes

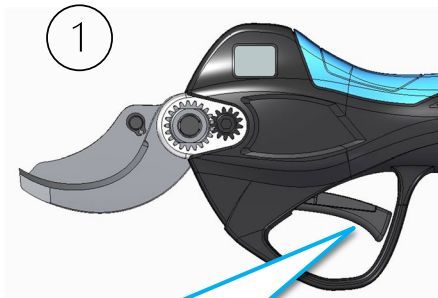


1
Keep the trigger pulled till one beep can be heard:
70% opening

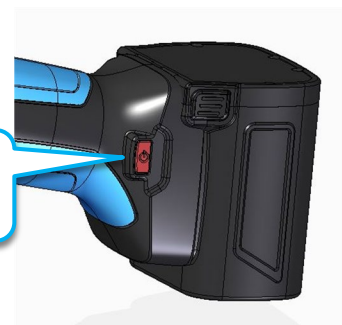


2
Keep the trigger pulled till one beep can be heard:
100% opening

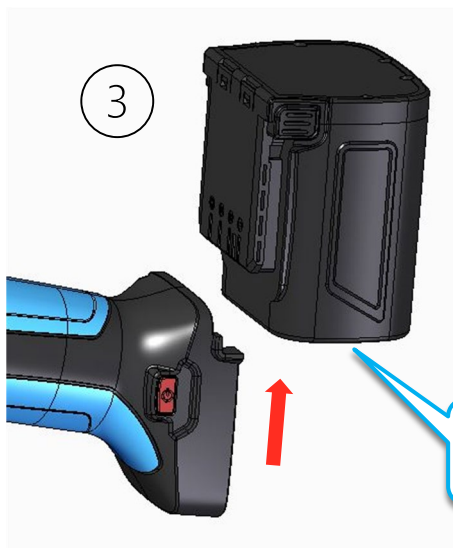
End of the working day



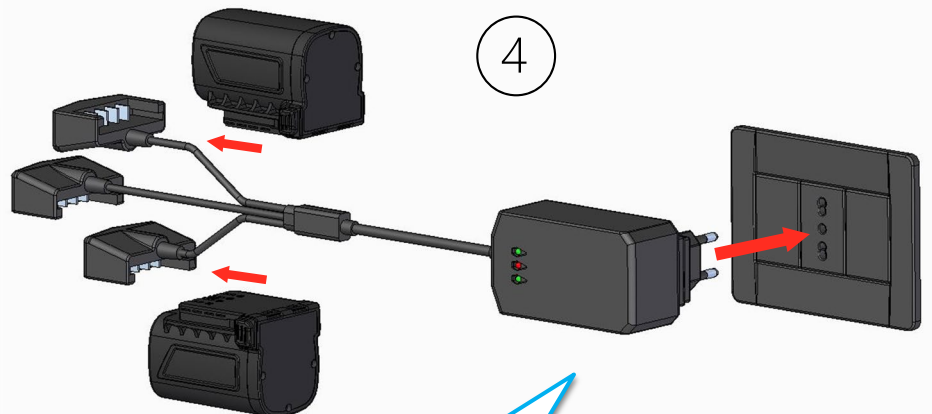
1
Keep the trigger pulled for 3 seconds to close the blades.



2
Press the on / off button to switch off the shear.



3
Remove the battery.



4
Recharge the batteries.

Cleaning and maintenance

